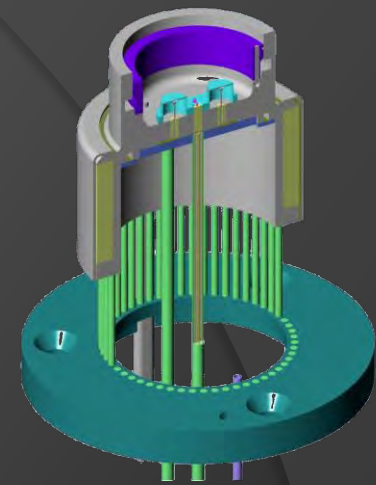


June 5<sup>th</sup> , 2008

McGill U., Otto Maass, Ruttan (321)room

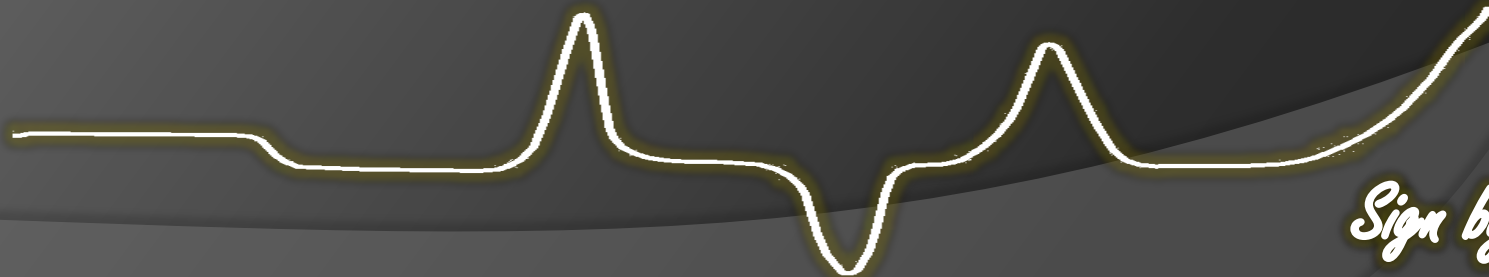
Starts at 1:30pm



# DSC WORKSHOP

## Agenda

- 13:30 **Julian Zhu:** Thermal Analyses: Experimental Considerations
- 14:20 **Sylvain Essiembre:** Which DSC instrument should I use?
- 15:00 **Christian Pellerin:** Application of DSC to polymer blends



*Sign by*

